
THE COTTERS BROOKE PALE

A PRESTIGIOUS ELEGANT ENTRANCE GATE.

GATE SPECIFICATION

Handmade from a choice of softwood or hardwood.

Matching pedestrian side gate and smaller garden gates available.

Ironmongery, accessories and stains available.

All our Gates are suitable for automation.

The Cottesbrooke Pale Driveway Gate, is one of our ranges most prestigious entrance gates which will complete any driveway. Equally at home in a rural or town drive setting, the key design feature is the elegant curved top rail with the clean lines of the bevelled palisade infills.



The tongue and groove boards are set in a heavy duty wooden framework, ledged and braced with mortise and tenon joints.



ACCESSORIES

Ironmongery kits and locks to suit.
Galvanised or Black.
Option of side gate styles to match.



HOW TO MEASURE YOUR GATES

Driveway Gate sizes listed is the ACTUAL width of the gate. Therefore, you will need to allow for hinge/centre clearance and posts/ pillars. Calculating the required size is an important task to complete, but we can help you if needed.

1. Calculating the width required between existing Pillars or Posts:

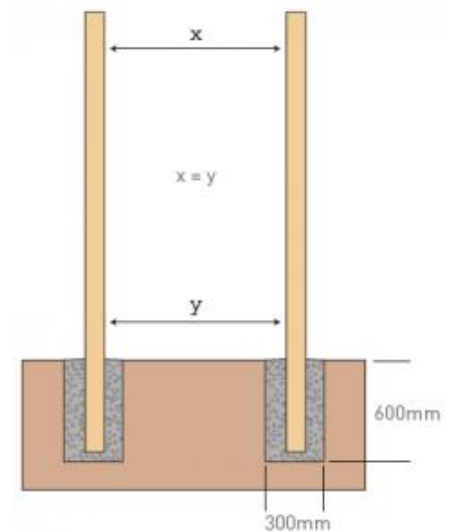
Take three measurements, top, middle and bottom.

The shortest measurement will be the one required to calculate your gate size.

Reduce the measurement by 40mm (1, 1/2 inch). (This is the gap required for a standard hook & band hinge set & the centre opening)

Example: Shortest Width: 3m 450mm (minus 40mm) =

ACTUAL WIDTH OF GATE 3m 410mm.



2. Calculating the width required without Posts in position:

Take the total measurement of your opening Example: 4m 320mm)

Decide on the size of posts needed either 4" x 4" (95mm x 95mm) or 6" x 6" (150mm x 150mm). Generally, an opening size of 3m will be 4" x 4" posts, any size over will need 6" x 6" posts.

Reduce the posts off the opening measurement: Example: 4m 320mm MINUS (2x 6" x 6" posts) = 4m 020mm

Finally, reduce the 40mm gap (for hinges/centre opening): Example: 4m 020mm MINUS HINGE ALLOWANCE = 3m 980mm

ACTUAL WIDTH OF GATE WILL BE: 3m 980mm.

NOTES

IF YOU'RE UNSURE OF WHAT SORT OF GATE, SIZE OR TIMBER YOU WOULD LIKE AND NEED SOME HELP IN CHOOSING OR DESIGNING SOMETHING UNIQUE TO YOU.

PLEASE CONTACT OUR FRIENDLY EXPERIENCED TEAM AT HARLESTONE GATES TO DISCUSS YOUR REQUIREMENTS.